

Before Initial Use

Thank you for purchasing a Panasonic Digital Proprietary Telephone. Please read IMPORTANT SAFETY INSTRUCTIONS on page XX before use. Read and understand all instructions.

◆ **When you ship the product**

Carefully pack and send it prepaid, adequately insured and preferably in the original carton. Attach a postage-paid letter, detailing the symptom to the outside of the carton. DO NOT send the product to the Executive or Regional Sales offices. They are NOT equipped to make repairs.

◆ **Product service**

Panasonic Servicenters for this product are listed in the servicenter directory. Consult your authorized Panasonic dealer for detailed instructions.

◆ **Helpful hints for the handsfree operation**

- **If the other party has difficulty hearing you:**
Lower the speaker volume.
- **Absorbing echoes:**
Use this unit in a room which has curtains and/or carpeting.
- **To avoid missing part of the conversation:**
If you and the other party speak at the same time, parts of your conversation will be lost. To avoid this, speak alternately.

Accessories (included) For extra orders, call toll free 1-800-332-5368


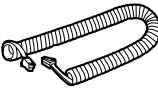
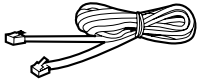
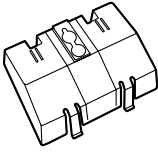
<input type="checkbox"/> Handset  One	<input type="checkbox"/> Handset Cord  One
<input type="checkbox"/> Telephone Line Cord  One	<input type="checkbox"/> Wall Mounting Plate  One

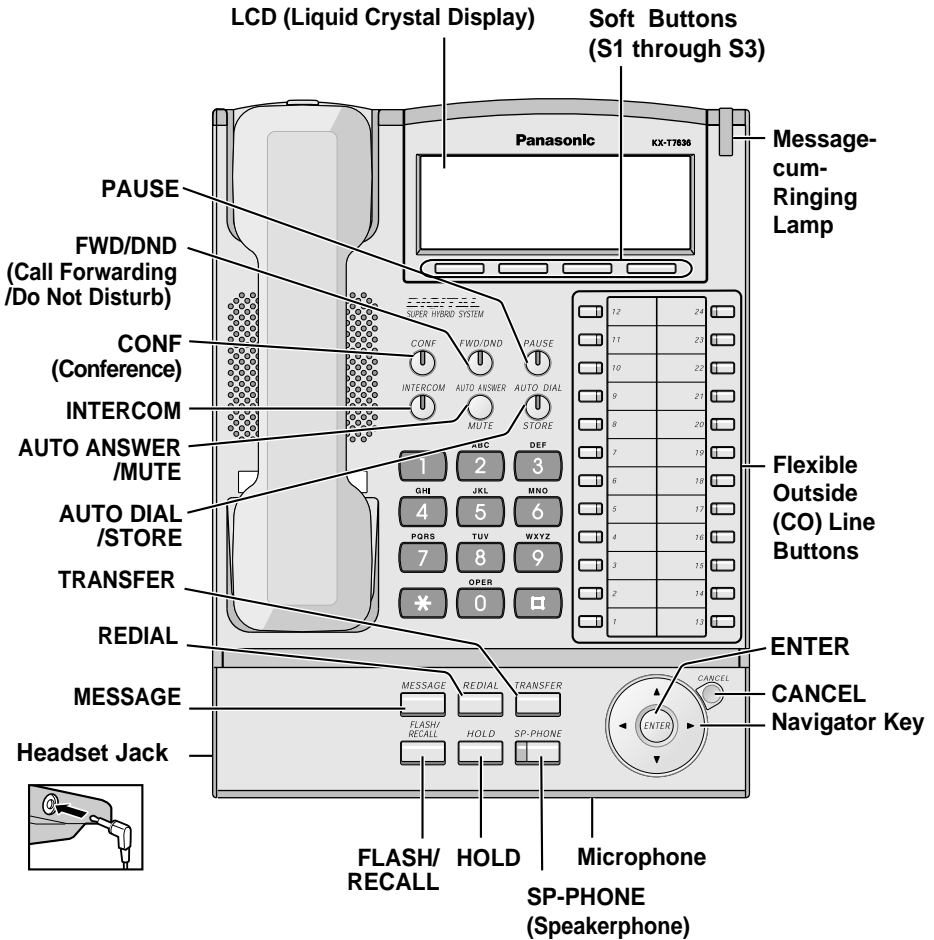
Table of Contents

Before Initial Use	2
Before Operating the Telephones	4
Location of Controls	4
Connection	6
Tilt Angle Adjustment	6
Setting	7
Making Calls	8
Calling Another Extension	8
Calling an Outside Party	8
Receiving Calls	9
Answering Calls	9
During a Conversation	10
Transferring a Call	10
Holding a Call	11
Using the Display Proprietary Telephone	12
Incoming Call Log	12
Outgoing Call Log	13
Using the Directories	14
Entering Characters	15
Accessing the System Features	15
Other Operations	16
Personal Programming	19
Wall Mounting	20
Installing the KX-T7601/KX-T7603	21
KX-T7601	21
KX-T7603	21
Important Safety Instructions	22
FCC and Other Information	23

Before Operating the Telephones

◆◆ Location of Controls

◆ KX-T7636



Before Operating the Telephones

AUTO ANSWER/MUTE



Used to receive an incoming call in the hands-free mode or mute the microphone during a conversation.

AUTO DIAL/STORE



Used for System Speed Dialling or storing programme changes.

CANCEL



Used to cancel the selected item.

PROGRAM (KX-T7625 only)



Used to enter and exit the Personal Programming mode.

CONF (Conference)



Used to establish a multiple party conversation.

ENTER



Used to confirm the selected item.

FLASH/RECALL



Used to disconnect the current call and make another call without hanging up.

Flexible Outside (CO) Line Button



Used to make or receive an outside call. Pressing this button seizes an idle outside line automatically. (Button assignment is required.)

Also used as the desired function buttons. (Button assignment is required.)

FWD/DND (Call Forwarding/Do Not Disturb)



Used to perform Call Forwarding or Do Not Disturb.

HOLD



Used to place a call on hold.

INTERCOM



Used to make or receive an intercom call.

MESSAGE



Used to leave a message waiting indication or call back the party who left the message waiting indication.

Navigator Key



Used to adjust the volume and the display contrast or select desired items for each function.

MESSAGE-cum-RINGER LAMP:

When you receive a call or someone has left you a message, the lamp will flash.

Volume Key (KX-T7625 only)



Used to adjust the volume.

PAUSE



Used to insert a pause during dialling. Used as the PROGRAM button if it is not equipped.

REDIAL (ordinarily)



Used to redial.

Soft



Used to perform a function or operation appearing on the bottom line of the display.

SP-PHONE



Used for the handsfree operation.

TRANSFER

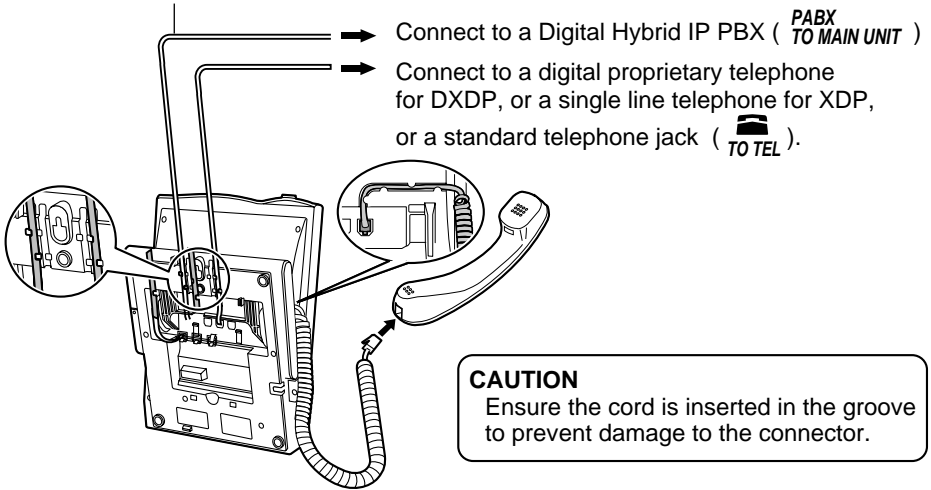


Used to transfer a call to another party.

Before Operating the Telephones

◆◆ Connection

The telephone line cord (included)



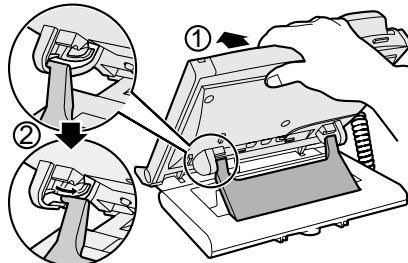
- Consult your dealer for more details about DXDP and XDP.

◆◆ Tilt Angle Adjustment

The tilt angle of the operation board can be adjusted.

To lift : Lift up the operation board.

To set down : Lift up the operation board until the hook knobs click (①), then press down (②).




Before Operating the Telephones

◆◆ Setting

◆ Speaker volume


While in on-hook or during a conversation



Press **SP-PHONE**. Press **Up** or **Down**.

◆ Handset/Headset volume

While using a handset or headset




Press **Up** or **Down**.

◆ Ringer volume

KX-T7625


While in on-hook or receiving a call



Slide the lever of the **RINGER** Volume Selector to the desired setting (**OFF/ON**). If "**ON**" is selected, press **Up** or **Down**.

KX-T7630/33/36

While in on-hook or receiving a call




Press "**RING**". Press **Up** or **Down**.

◆ Display contrast

KX-T7630/33/36






While in on-hook or receiving a call



Press "**CONT**". Press **Up** or **Down**.

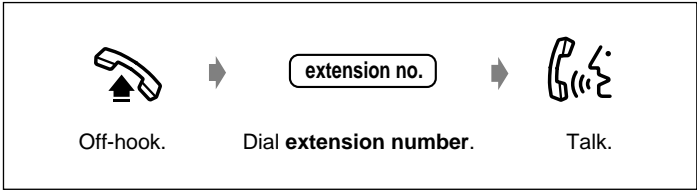
◆◆ Icon Descriptions

The following icons show you the feature availability, note and action to use the features.

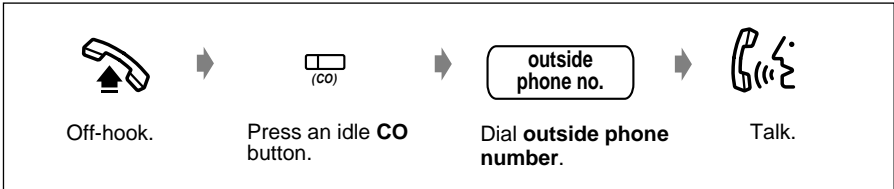
	Off-hook (One of the following): <ul style="list-style-type: none"> • Lift the handset. • Press the SP-PHONE button. • Press TALK button. 		Press the desired number keys on the telephone.
	Off-hook (One of the following): <ul style="list-style-type: none"> • Hang up. • Press the SP-PHONE button. • Press CANCEL button. 	 C.Tone	You will hear a confirmation tone.
			Note

Making Calls

◆◆ Calling Another Extension



◆◆ Calling an Outside Party



◆◆ Answering Calls



Off-hook.



Talk.

Select one of the following methods:

- Lift the handset to receive the preferred line.
(Default: Ringing line is selected.)
- Press the SP-PHONE button.
- Press the flashing CO, INTERCOM or G-DN button directly.

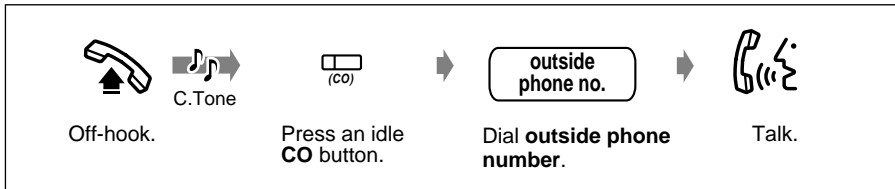
During a Conversation

◆◆ Transferring a Call

◆ Transferring to an extension



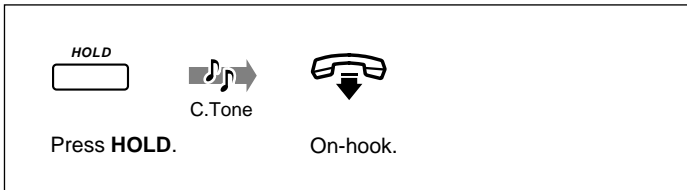
◆ Transferring to an outside party



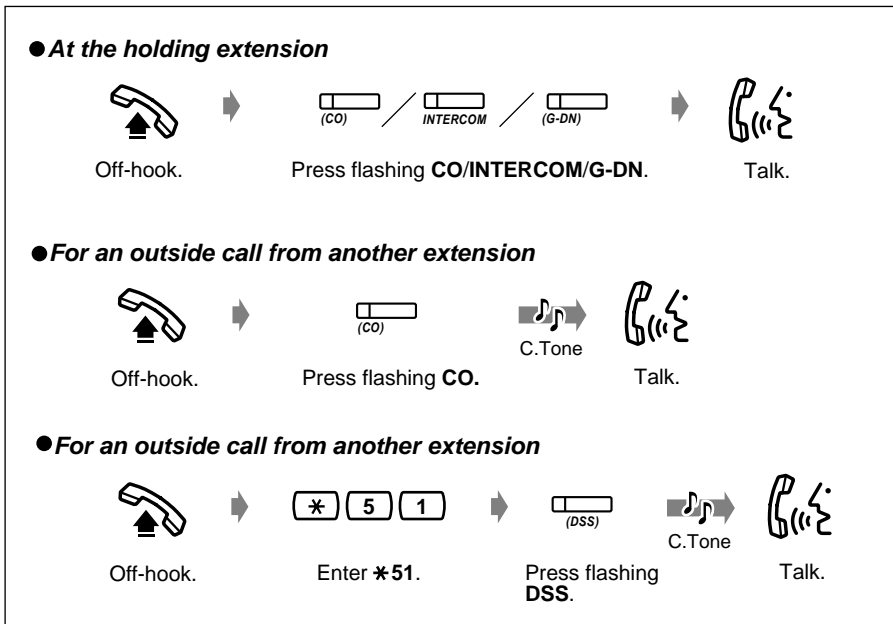
- You can transfer a held call without talking by going on-hook.
If a call is not retrieved within a specified time, you will hear an alarm as a reminder.
- **To return to the held call before the destination answers,**
press the TRANSFER button, corresponding CO, G-DN or INTERCOM button.

◆◆ Holding a Call

◆ To hold



◆ To retrieve



- If a call is not retrieved within a specified time, you will hear an alarm as a reminder.
- The CO, G-DN or INTERCOM button light shows the current status as follows:
Flashing green slowly: Your held call
Flashing red: Another extension's held call.

Using the Display Proprietary Telephone

◆◆ Incoming Call Log

When you receive an outside call, the caller's information is recorded automatically in the incoming call log.

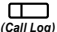

When the Call Log button light turns on, there is a call which you do not answer.

The information shows as follows:


Information sample (KX-T7636)

BOB SMITH	←	Caller's Name
0924771458	←	Caller's Phone Number
01 JAN.08:00AM MON	←	Date & Time of a call received
Old	No Answer	Status – Old: Confirmed New: Not confirmed

◆ To confirm the log information

<p>● With the Call Log button</p>  <p>(Call Log)</p> <p>Press Call Log.</p>	<p>● With the Navigator key</p> <p>While in on-hook</p>  <p>Press Left. Press ENTER.</p>
--	---


◆ To clear the log information



Press "**CLEAR**".

◆ To call

When the desired party is displayed



Off-hook.

Using the Display Proprietary Telephone

◆ To store the caller's information for personal speed dialling

When the desired party is displayed



Press "STORE".



- The Call Log button light shows the current status as follows:
Off: No incoming calls. Or you have already confirmed/received the call log.
Red on: You have never confirmed/received it yet.

◆◆ Outgoing Call Log

You can redial with the outgoing call log.

◆ To call

While in on-hook



Press **Left**.



Press **ENTER**.



Press **Up** or **Down**
until **desired number**
appears.



Off-hook.



- You can lock your call log by using a password, so that you can deny showing your call log information. Consult your dealer for more details.

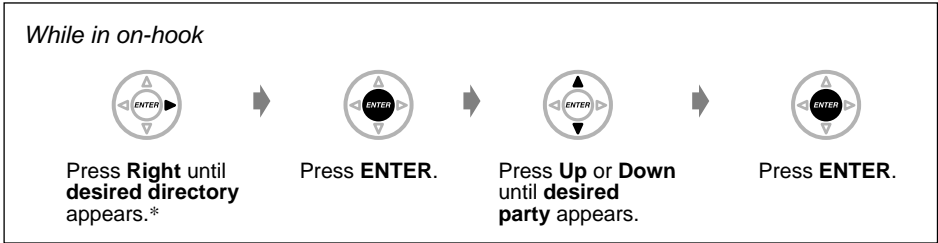
Using the Display Proprietary Telephone

◆◆ Using the Directories

You can select and call with the directories as follows:

- Personal Speed Dialling Directory**
- System Speed Dialling Directory**
- Extension Number Directory**

◆ Calling with the directory

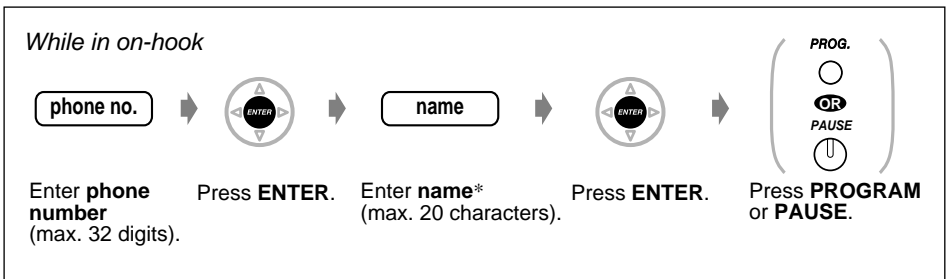


* The display order is as follows:

- One time:** Personal Speed Dialling Directory
- Two times:** System Speed Dialling Directory
- Three times:** Extension Number Directory

To cancel or exit the current display, press **EXIT**

◆ Storing the names and numbers in the personal speed dialling directory



* To enter characters, refer to "Entering Characters".

Using the Display Proprietary Telephone

◆◆ Entering Characters

To store a name or message, you can enter the following characters. The tables show you the characters available for each button.

Times Buttons \	1	2	3	4	5	6	7	8	9	10	11	12	13	14	15
1	!	?	"	ä	ö	ü	1								
2	A	B	C	a	b	c	À	Á	Â	Ã	Ä	Å	Æ	Ç	2
3	D	E	F	d	e	f	•	È	É	Ê	Ë	3			
4	G	H	I	g	h	i	Ì	Í	Î	Ï	4				
5	J	K	L	j	k	l	5								
6	M	N	O	m	n	o	Ñ	Ò	Ó	Ô	Õ	Ö	Ø	Ɔ	6
7	P	Q	R	S	p	q	r	s	ß	7					
8	T	U	V	t	u	v	Û	Ú	Û	Ü	8				
9	W	X	Y	w	x	y	Ý	9							
0		.	,	'	:	;	0								
*	/	+	-	=	<	>	*								
#	\$	%	&	@	()	•	•	#						


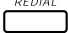
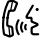

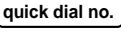
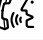


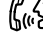

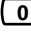
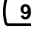
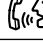

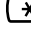
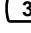
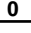
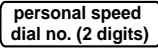
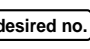




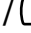
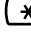
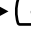
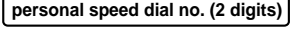
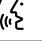


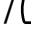
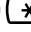
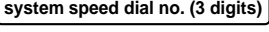
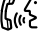


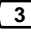
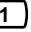
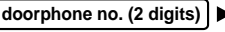

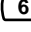


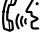

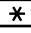
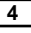
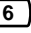


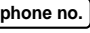
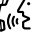

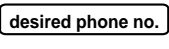
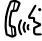

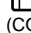

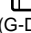
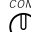


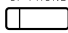
◆◆ Accessing the System Features

You can access a desired feature with the "Feature Access" menu.




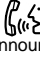
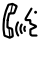

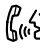






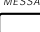


















- Consult your dealer for more details about the accessible features.

Other Operations

Desired Function	Operation
Making Calls	
Redial	 ►  ► 
Quick Dialling	 ►  ► 
One-Touch Dialling	To dial  ►  — assigned as a One-Touch Dialling button ► 
Calling an operator	 ►  /  ► 
Speed Dialling (Personal)	To store  ►    ►  ►  ►  ►  To dial  ►  /   ►  ►  ► 
Speed Dialling (System)	To dial  ►  /   ►  ► 
Doorphone Call	 ►    ►  ► 
Automatic Callback Busy	To set <i>While hearing a busy tone</i>  ►  To answer the extension  ►  To cancel  ►    ►  To answer the outside line  ►  ► 
During a Conversation	
Multiple Parties conversation	To add other parties  ►  ►  ►  To talk to one party by terminating the other To leave a conference  /  /  
Mute (Microphone/ Handset)	To set / cancel <i>During a conversation</i>  / 
Off-hook Monitor	To set / cancel <i>During a conversation using the handset</i> 

Desired Function	Operation
<p>Forwarding a call and Do Not Disturb (DND)</p>	<p style="text-align: center;">Useful Features</p> <div style="display: flex; align-items: center;"> <div style="border: 1px solid black; padding: 5px; margin-right: 10px;"> <p><small>FWD/DND</small> All</p> <p><small>FWD/DND</small> Outside line (External)</p> <p><small>FWD/DND</small> Intercom (Internal)</p> </div> <div style="border: 1px dashed black; padding: 5px; flex-grow: 1;"> <p>Do Not Disturb (DND) 1</p> <p>Forwarding a call</p> <p>All calls 2 ▶ extension no. ▶ #</p> <p>Busy 3 ▶ extension no. ▶ #</p> <p>No answer 4 ▶ extension no. ▶ #</p> <p>Busy / No answer 5 ▶ extension no. ▶ #</p> <p>To an outside line 6 ▶ outside line no. ▶ phone no.</p> <p>Follow Me 7 ▶ your extension no.</p> <p>Cancel Follow Me 8 ▶ your extension no.</p> <p>Cancel 0</p> </div> </div>
<p>Picking up a call</p>	<div style="border: 1px dashed black; padding: 5px;"> <p>Directed 4 1 ▶ extension no. ▶ </p> <p>Group 4 0 ▶ group no. ▶ </p> </div>
<p>Receiving a Call Waiting</p>	<div style="border: 1px dashed black; padding: 5px;"> <p>Intercom Calls 7 3 1 ▶</p> <div style="border: 1px solid black; padding: 5px; display: inline-block;"> <p>0 No tone</p> <p>1 Tone</p> <p>2 OHCA</p> <p>3 Whisper OHCA</p> </div> <p>Outside Calls 7 3 2 ▶</p> <div style="border: 1px solid black; padding: 5px; display: inline-block;"> <p>0 No tone</p> <p>1 Tone</p> </div> </div> <p>To talk to the new party <i>While hearing a tone</i></p> <p> ▶ / ▶ </p>
<p>Sending a Call Waiting tone</p>	<p><i>While hearing a busy tone</i></p> <p>1 ▶ Wait for an answer. ▶ </p>

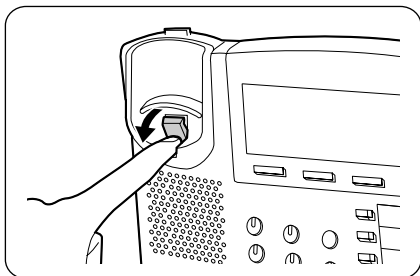
Other Operations

Desired Function	Operation	
Useful Features		
Paging	<p>To set  ► * 3 3 ► paging group no. ►  ► Wait for an answer. ► </p> <p>To answer  ► * 4 3 ► </p> <p>To deny  ► [* 7 2 1 1 Deny / * 7 2 1 0 Allow] ► </p>	
Message Waiting	Sender	<p>To leave a notification <i>When the called extension is busy or does not answer</i> MESSAGE </p> <p>To cancel a notification  ► * 7 0 1 ► extension no. ► </p>
	Receiver	<p>To call back  MESSAGE  ► </p>
Setting Absent Message	<p>To set  ► * 7 5 0 ► message no. ► parameter (if required) ► </p> <p>To cancel  ► * 7 5 0 0 ► </p>	
Log-In/Log-Out	<p> ► [* 7 3 6 1 For Log-In / * 7 3 6 0 For Log-Out] ► group no. ► </p>	
Locking your extension	<p>To lock  ► * 7 7 1 ► lock code (max. 10 digits) ► ► # ► lock code (same code) ► # ► </p> <p>To unlock  ► * 7 7 0 ► lock code (max. 10 digits) ► #</p>	
Clearing the Feature Settings	<p> ► * 7 9 0 ► </p>	
Timed Reminder	<p>To set  ► * 7 6 0 ► 1 ► [12 H / 24 H] ► hour / minute ► [0 AM / 1 PM] ►</p> <p>► [0 once / 1 daily] ► </p> <p>To cancel  ► * 7 6 0 ► 0 ► </p> <p>To stop or answer the ringback  / </p>	

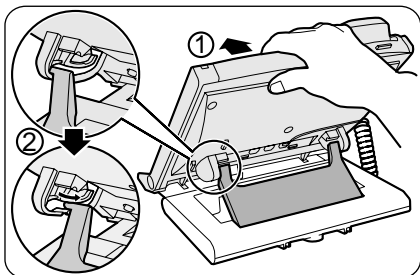
* Consult with your dealer for more details about the feature access numbers.

Wall Mounting

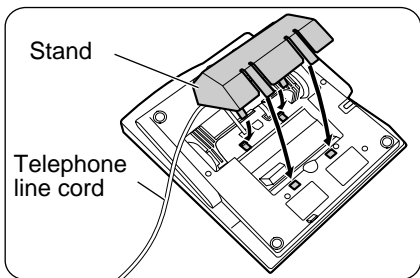
- 1 Pull down the handset hook until it locks, so the tab holds the handset.



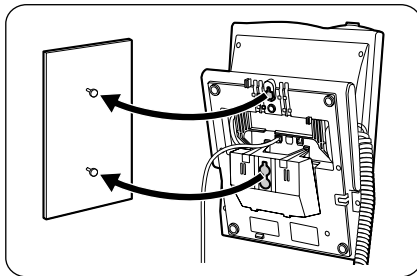
- 2 Lift up the operation board until the hook knob clicks (1), then press down (2).



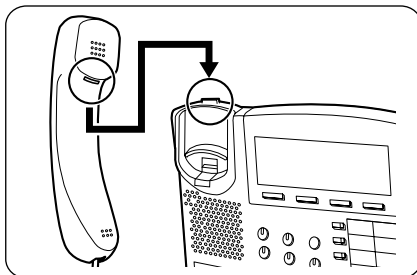
- 3 Attach the wall mounting plate.



- 4 Mount the unit on the wall.



To temporarily place the handset down during a conversation, hook it over the top edge of the phone as shown.



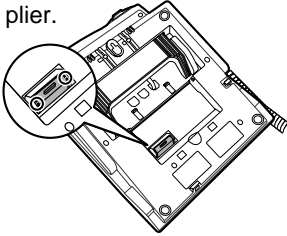
* The illustrations used in this page are a KX-T7636.

Installing the KX-T7601/KX-T7603

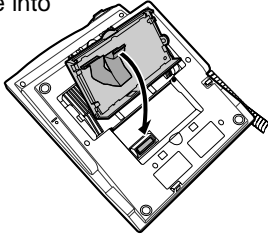
◆◆ KX-T7601

The USB unit can be connected between the digital proprietary telephone and the personal computer through USB interface to implement personal CTI (Computer Telephony Integration).

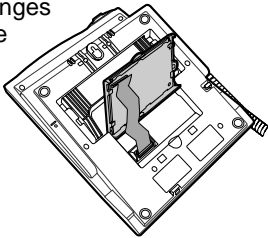
- 1 Remove the connector cover using a plier.



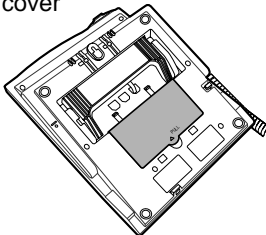
- 2 Insert the cable into the connector.



- 3 Couple both hinges and slide in the unit.

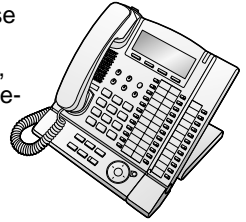


- 4 Push down the cover until it locks.



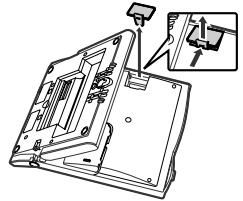
◆◆ KX-T7603

The function key unit has 12 CO buttons. These buttons are used to seize an outside line, make a call using one-touch dialling, or access certain features.

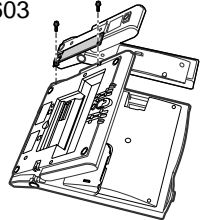


<KX-T7636 with a KX-T7603>

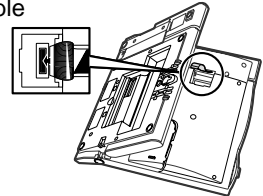
- 1 Open the cover.



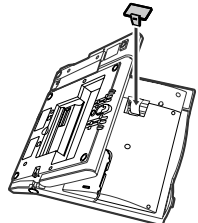
- 2 Attach the KX-T7603 to your telephone with screws.



- 3 Insert the cable into the connector.



- 4 Close the cover.



Important Safety Instructions

When using your telephone equipment, basic safety precautions should always be followed to reduce the risk of fire, electric shock and injury to persons, including the following:

1. Read and understand all instructions.
2. Follow all warnings and instructions marked on the product.
3. Unplug this product from the wall outlet before cleaning. Do not use liquid cleaners or aerosol cleaners. Use a damp cloth for cleaning.
4. Do not use this product near water, for example, near a bath tub, wash bowl, kitchen sink, or laundry tub, in a wet basement, or near a swimming pool.
5. Do not place this product on an unstable cart, stand, or table. The product may fall, causing serious damage to the product.
6. Slots and openings in the cabinet and the back or bottom are provided for ventilation, to protect it from overheating, these openings must not be blocked or covered. The openings should never be blocked by placing the product on the bed, sofa, rug, or other similar surface. This product should never be placed near or over a radiator or heat register. This product should not be placed in a built-in installation unless proper ventilation is provided.
7. Do not allow anything to rest on the telephone cord. Do not locate this product where the cord will be abused by persons walking on it.
8. Do not overload wall outlets and extension cord as this can result in the risk of fire or electric shock.
9. Never push objects of any kind into this product through cabinet slots as they may touch dangerous voltage points or short out parts that could result in a risk of fire or electric shock. Never spill liquid of any kind on the product.

10. To reduce the risk of electric shock, do not disassemble this product, but take it to a qualified serviceman when some service or repair work is required. Opening or removing covers may expose you to dangerous voltages or other risks. Incorrect reassembly can cause electric shock when the appliance is subsequently used.
11. Unplug this product from the wall outlet and refer servicing to qualified service personnel under the following conditions:
 - A. When the power supply cord or plug is damaged or frayed.
 - B. If liquid has been spilled into the product.
 - C. If the product has been exposed to rain or water.
D. If the product does not operate normally by following the operating instructions. Adjust only those controls, that are covered by the operating instructions because improper adjustment of other controls may result in damage and will often require extensive work by a qualified technician to restore the product to normal operation.
 - E. If the product has been dropped or the cabinet has been damaged.
 - F. If the product exhibits a distinct change in performance.
12. Avoid using a telephone (other than a cordless type) during an electrical storm. There may be a remote risk of electric shock from lightning.
13. Do not use the telephone to report a gas leak in the vicinity of the leak.

**SAVE THESE
INSTRUCTIONS**

FCC and Other Information

NOTE:

This equipment has been tested and found to comply with the limits for a Class B digital device, pursuant to Part 15 of the FCC Rules. These limits are designed to provide reasonable protection against harmful interference in a residential installation. This equipment generates, uses and can radiate radio frequency energy and, if not installed and used in accordance with the instructions, may cause harmful interference to radio communications. However, there is no guarantee that interference will not occur in a particular installation. If this equipment does cause harmful interference to radio or television reception, which can be determined by turning the equipment off and on, the user is encouraged to try to correct the interference by one or more of the following measures:

- Reorient or relocate the receiving antenna.
- Increase the separation between the equipment and receiver.
- Connect the equipment into an outlet on a circuit different from that to which the receiver is connected.
- Consult the dealer or an experienced radio/TV technician for help.

WARNING:

TO PREVENT FIRE OR SHOCK HAZARD,
DO NOT EXPOSE THIS PRODUCT TO RAIN
OR ANY TYPE OF MOISTURE.

CAUTION:

To assure continued compliance with FCC rules, do not make any unauthorized modifications. When programming emergency numbers and/or making test calls to emergency numbers:

- 1) Remain on the line and briefly explain to the dispatcher the reason for the call before hanging up.
- 2) Perform such activities in the off-peak hours, such as early morning hours or late evenings.

If there is any trouble, disconnect the unit from the extension line and connect a known working phone. If the known working phone operates properly, have it repaired by one of the specified Panasonic Factory Service Centers. If the known working phone does not operate properly, check the Electronic Modular Switching System and the internal extension wiring.

- Keep the unit away from heating appliances and electrical noise generating devices such as fluorescent lamps and motors.
- The unit should be kept free of dust, moisture and vibration, and should not be exposed to direct sunlight.
- Do not use benzene, thinner, or the like, or any abrasive powder to clean the cabinet. Wipe it with a soft cloth.
- Do not use any handset other than Panasonic handset.

This telephone provides magnetic coupling for hearing aids.

For your future reference

SERIAL NO. _____

(found on the bottom of the unit)

DATE OF PURCHASE _____

NAME OF DEALER _____

DEALER'S ADDRESS _____

DEALER'S TEL. NO. _____

Copyright:

This manual is copyrighted by Kyushu Matsushita Electric Co., Ltd. (KME). Under the applicable copyright laws, this manual may not be reproduced in any form, in whole or part, without the prior written consent of KME and its licensee.

© 2001 Kyushu Matsushita Electric Co., Ltd. All Rights Reserved.

**Panasonic Consumer Electronics
Company, Division of Matsushita
Electric Corporation of America**

One Panasonic Way, Secaucus,
New Jersey 07094

www.panasonic.com

**Panasonic Sales Company ("PSC"),
Division of Matsushita Electric of
Puerto Rico, Inc.**

Ave. 65 de Infantería, Km. 9.5,
San Gabriel Industrial Park, Carolina,
Puerto Rico 00985



